

i31 IP Video Intercom



i31 IP Video Voice & Access Intercom

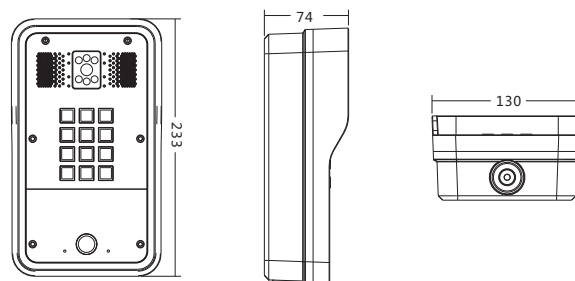
Available From
Aristel Networks Pty Ltd.
1/25 Howleys Rd Notting Hill Vic 3168
P: 03 8542 2300 F: 03 9544 3299 Freecall: 1800 002133
e: sales@aristel.com.au www.aristel.com.au



Main Features

- > Compatible with standard SIP (RFC3261) protocol and main IPPBX/IMS platform.
- > Build-in HD camera and Infrared LED
- > Access Control (by call, by code, IC/RFID)
- > All-in-One (Access Control, Intercom and Broadcasting)
- > Build-in noise reduction DSP to reduce noise effectively.
- > Build-in 3W speaker and AEC, supporting high quality hand-free communication.
- > Supports external active speaker output port for HD quality (G.722) broadcasting
- > Build-in tamper-proof detector to deter vandalism
- > Protection level IP65 and IK10, equipped with tamper proof screws.

Dimension

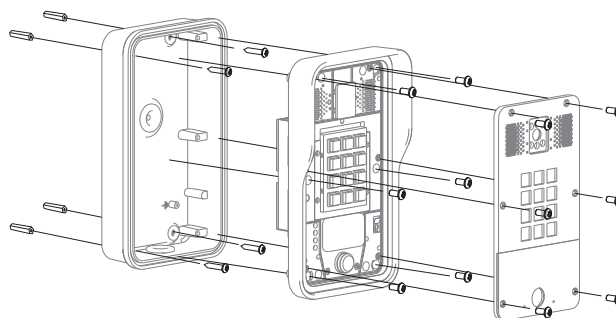


(Unit:mm)

Specification

Power Supply	DC 12V or POE 802.3 af/at
Speaker	3W
Video Codec and Resolution	H.263、H.264; CIF, QCIF, VGA, 4CIF, 720P (HD)
Protocol	TCP、UDP、RTP/RTCP/SRTP、IGMP、STUN etc
Installation and Material	Wall mounted or Flush mounted; Front plate: aluminum alloy, Back plate: Cast aluminum
Protection Level	IP65 and IK10
RFID Card	EM4100(125kHz) or Mifare 1; Maximum support 2000 cards
Port	1 RJ45 port, 1 Electric-lock output, 1 indoor switch connector
Operating temperature and humidity	-40°C ~ 70°C; ≤90%RH
Dimension and Weight	233x130x74mm(WxHxL); 1.85KG

Installation Diagram



Aristel