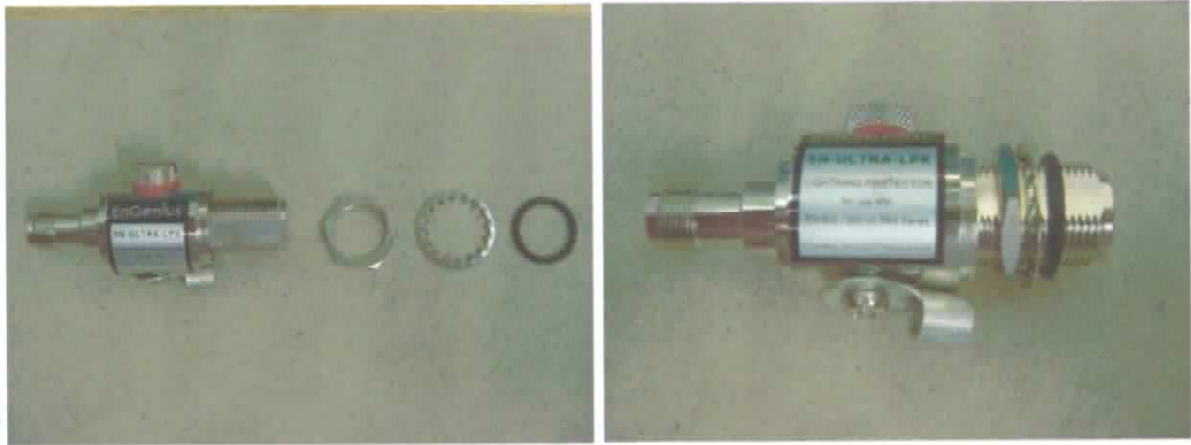


EnGenius Lightning Protection Kit (LPK)

Step 1: Install Washers on the LPK as below (Nut, Lock Washer, Rubber Washer)

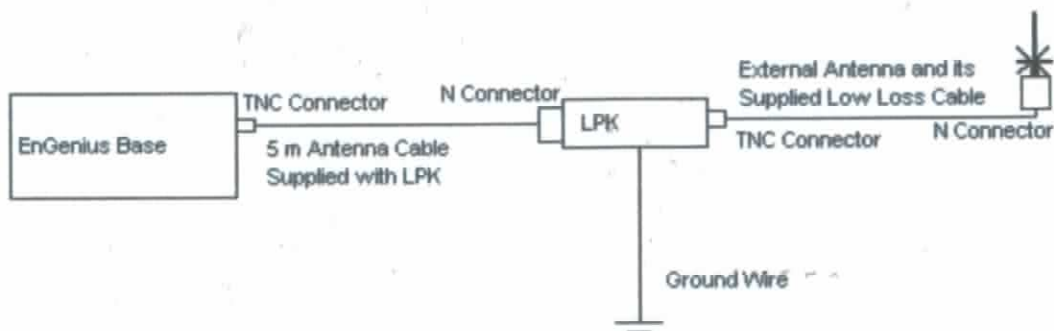


Step 2: Connect the Ground Wire to the underside of the unit. An Electrician and a minimum 5mm Copper cable should be used.

Step 3:

Connect the small (TNC) connector of the 5m Antenna Cable that came with the LPK to the Base, and the large (N) connector of the LPK Cable to the LPK, make sure the connection is tight and not to bend the cable too sharply.

Install and Run the cable for the external antenna and connect the small (TNC) connector end of the external antenna cable to the LPK as per the below diagram.

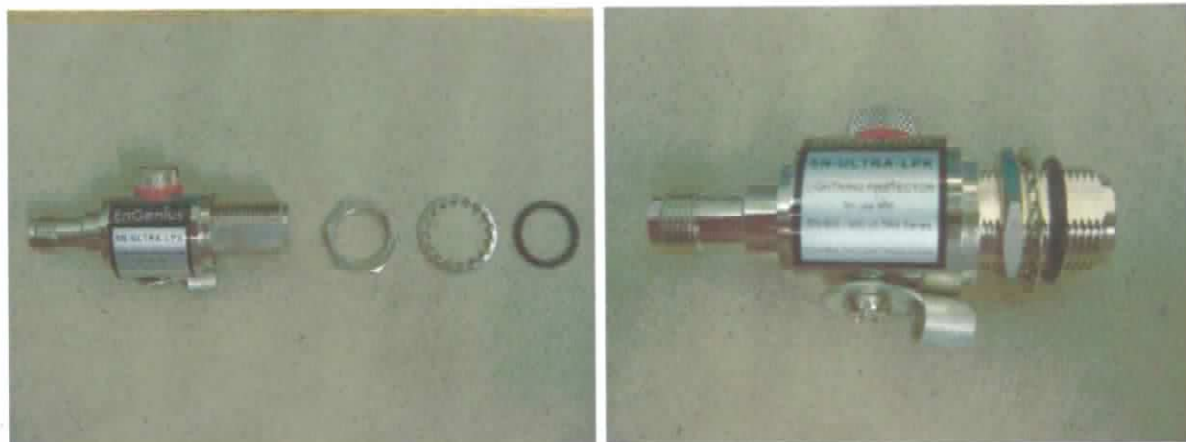


Maintenance:

The unit contains a gas based fuse that is recommended to be replaced annually and after a strike to ensure effective operation.

EnGenius Lightning Protection Kit (LPK)

Step 1: Install Washers on the LPK as below (Nut, Lock Washer, Rubber Washer)

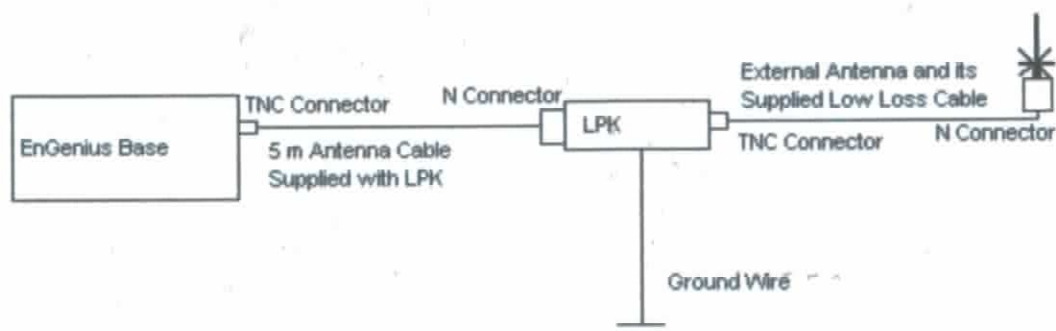


Step 2: Connect the Ground Wire to the underside of the unit. An Electrician and a minimum 5mm Copper cable should be used.

Step 3:

Connect the small (TNC) connector of the 5m Antenna Cable that came with the LPK to the Base, and the large (N) connector of the LPK Cable to the LPK, make sure the connection is tight and not to bend the cable too sharply.

Install and Run the cable for the external antenna and connect the small (TNC) connector end of the external antenna cable to the LPK as per the below diagram.



Maintenance:

The unit contains a gas based fuse that is recommended to be replaced annually and after a strike to ensure effective operation.